



Vent Master HR

Purpose Designed for the CSG Industry

- Large Auto Venting Capacity
- Light Weight
- Rated 1600kPa
- Full Metal 2500 kPa Option
- Designed and Manufactured in Australia



Quality
ISO 9001
SAI GLOBAL

Manufactured under a
Quality Management
System that is certified
to ISO9001

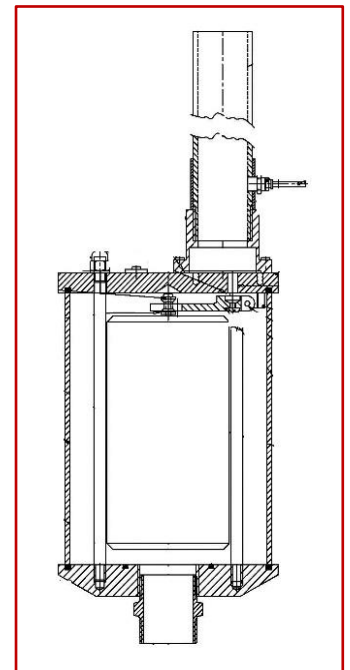
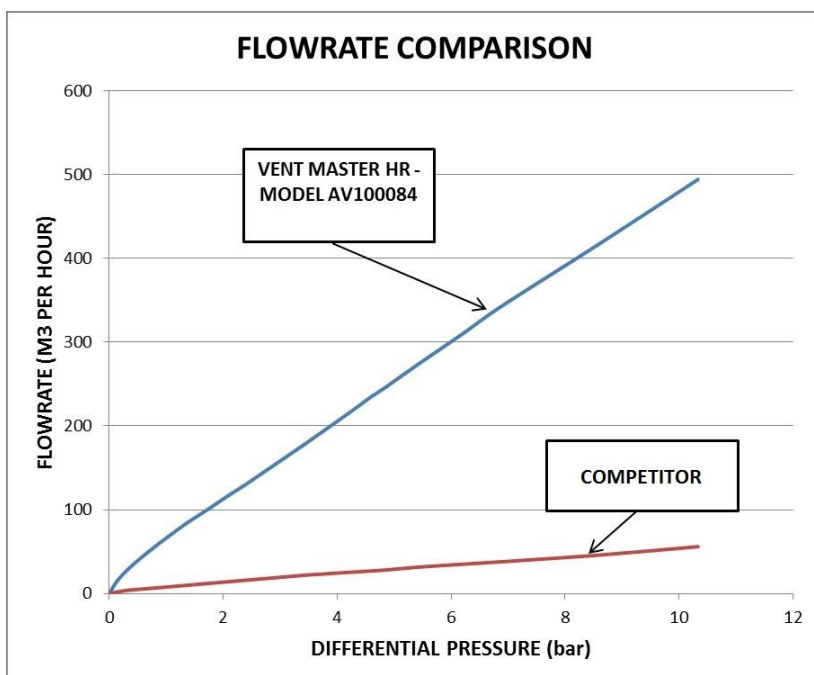


2500kPa Option Available

Vent Master HR is purpose designed for the CSG Industry and is widely used in Australia. It has the largest venting capacity of any valve in its class. Light weight, compact and made from superior materials of construction.

Benefits

- Specifically designed for gas venting in CSG/CBM water gathering pipelines.
- Best in Class – Cost and Flexibility of Engineering Design
- Best in Class – Auto Venting Capacity and Corrosion resistance
- Light Weight
- 50mm NPT nipple or ANSI Flange connection
- Designed and Manufactured in Australia under QMS to ISO9001.



2m Threaded Outlet Chimney

2500kPa Option

Full Venting Function to 2500kPa. Compact Design Threaded or Flanged connection.



HEAD OFFICE

1 Sleaford Road, Applecross
WA 6153

T +618 9329 3500

F +618 9329 3501

E sales@ventmaster.com.au

AGENT